



## Rugged Convertible Notebook SR858

- 13.3" WXGA (1280x800) TFT with resistive touch screen / sunlight readable
- Intel Core 2 Due Merom, Ultra Low Voltage 1.06GHz Processor
- 1GB up to 4GB DDR II SDRAM
- Shock mounted 250GB HDD
- WiFi 802.11 a/g/n; Bluetooth 2.1 Class II, Optional: WWAN (HSDPA/GPRS/GSM/WCDMA)
- Built-in GPS receiver
- Fingerprint and TPM 1.2 recognition
- Maximum 5 hours of long operating battery life
- Fully rugged Fanless design, meet IP65 & MIL-STD-810F

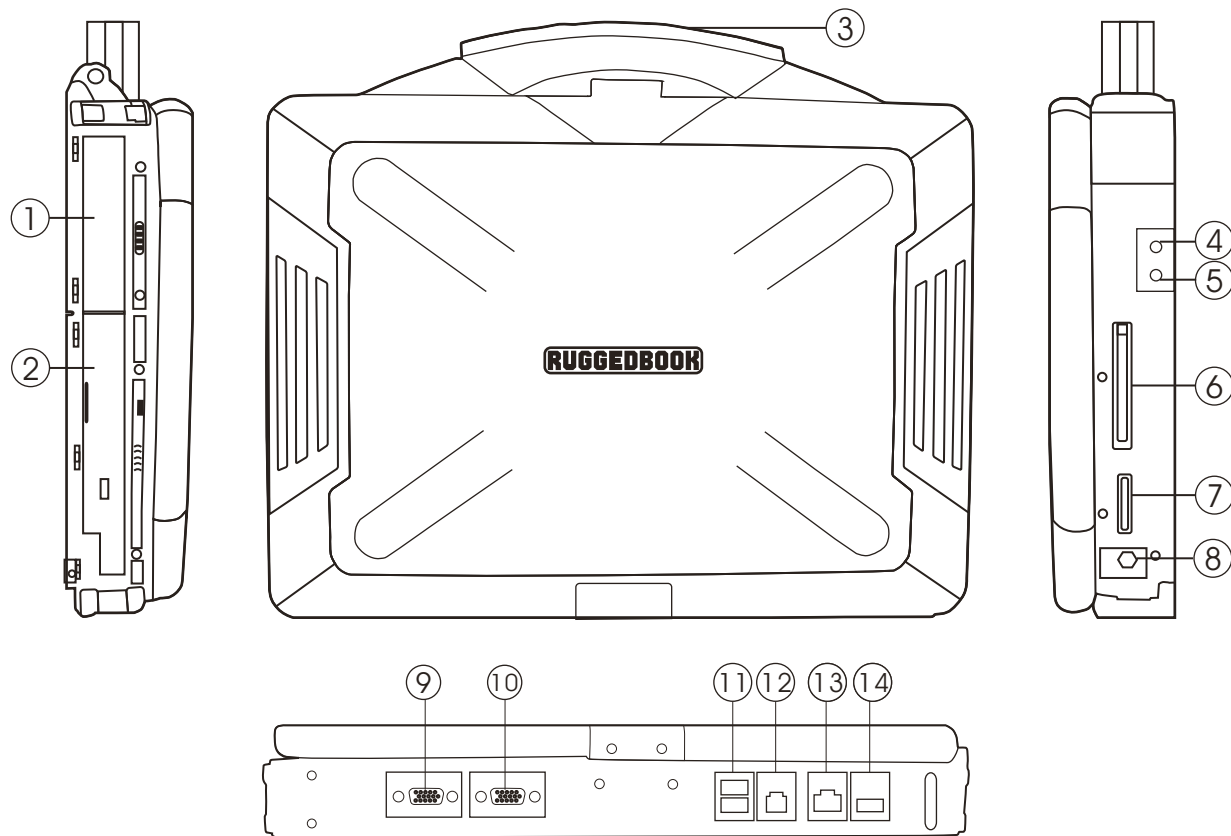




## Specifications

- ▶ **Processor** Intel Core2 Duo Merom ULV 1.06GHz processor  
Intel 965GM Integrated Graphics
- ▶ **Memory** 1GB up to 4GB DDR II SO-DIMM SDRAM / 2 slots
- ▶ **Storage** Shock mounted removable 2.5" 250GB HDD
- ▶ **Display** 13.3" WXGA (1280 x 800) TFT LCD with resistive touch screen;  
Sunlight readable display
- ▶ **Audio** HD Audio, Built-in speaker x 2 (Total Max: 4W);  
Microphone x 2 (array microphone)
- ▶ **Drive Bay** Super Multi DVD-ROM
- ▶ **Security** TPM 1.2 and Fingerprint Recognition; Kensington Lock
- ▶ **Communications** 10/100/1000 Ethernet;  
Modem 56kbps (V.92)
- ▶ **Wireless Communications** GPS Receiver; WLAN 802.11 a/g/n;  
Bluetooth 2.1 Class II+EDR  
Optional: WWAN (HSDPA/GPRS/GSM/WCDMA);
- ▶ **I/O Port** 1 x RJ-45; 1 x RJ-11; 1 x VGA; 3 x USB 2.0 ports; 1 x Ear Phone;  
1 x Microphone; 1 x DC-in; 1 x Docking Connector; 1 x RS232
- ▶ **Expansion Slots** 1 x PCMCIA supports Type I/II;  
1 x SD Card reader;  
1 x SIM Card slot
- ▶ **Keyboard** 87 keys Water-proof keyboard / backlight
- ▶ **Adapter** Input 100~240V, 50/60Hz  
Output: 90W /19V
- ▶ **Battery** Li-Ion battery 7800mAh; Max. 5+ Hours Run-down life in normal usage;  
Charging time: 2.5hrs to 80%
- ▶ **Hot Keys** SAS Key; Screen Rotation Key; Virtual keyboard,  
RF Switch; Brightness up/down; LED keyboard light on/off
- ▶ **Operating System** Windows XP Tablet PC Edition
- ▶ **Optional Accessory** Vehicle Mounting case; VESA ARM
- ▶ **Operating Temperature** Operating -20°C ~ +50°C  
Humidity: 5% to 95% RH, non-condensing.
- ▶ **Reliability** Meet MIL-STD 810F (Drop test/ Temperature Thermal shock/  
Vibration/ Humidity/ Altitude);  
Meet IEC60529 Edition 2.1 (Water proof/ Dust proof)
- ▶ **Dimension & weight** 344 x 253 x 58mm; < 4.1 kgs (with battery)
- ▶ **EMI/ Safety** CE, FCC, UL, TUV, CB, cUL





- ① Battery Bay    ② Drive Bay    ③ Stylus    ④ MIC    ⑤ Earphone
- ⑥ PCMCIA    ⑦ SD reader slot    ⑧ DC-In jack    ⑨ VGA    ⑩ RS232
- ⑪ USB port    ⑫ RJ-11    ⑬ RJ-45    ⑭ USB port

## Overview

The rugged convertible notebook, SR858, has 13.3" indoor/sunlight readable TFT with touch-screen display and a magnesium alloy robust design. It also meets IP65 protection rating and the MIL-STD-810F reliability standard. Moreover, it possesses environmental durability which may withstand temperatures from -20°C to +50°C. With these distinguishing features, the SR858 can be applied especially for field services, telecommunications, military solutions, transportation, mining, and many other vertical market applications.

SR858 is featured with the Ultra Low Voltage Intel Core 2 Duo Merom CPU at the speed of 1.06GHz , 1GB DDR II SO-DIMM RAM, and a high capacity of shock mounted 250GB storage HDD. Communication connectivity includes 10/100/1000 Ethernet port, WiFi 802.11 a/g/n, Bluetooth 2.1 Class II, GPS, and optional WWAN (HSDPA/ GPRS/ GSM/ WCDMA).

SR858, offering Super Multi DVD-ROM and slots for multiple applications, is equipped with the flexibility and expandability. In addition to PCMCIA Type I/II, SD Cards, and SIM Cards on SR858, users may further utilize Super Multi DVD-ROM. With authentication capabilities, SR858 adopts fingerprint and TPM 1.2 recognition systems. The multi-functional rugged convertible notebook SR858 is your one and only choice.

